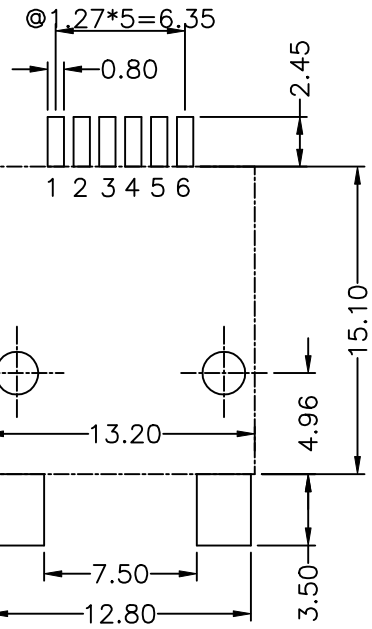
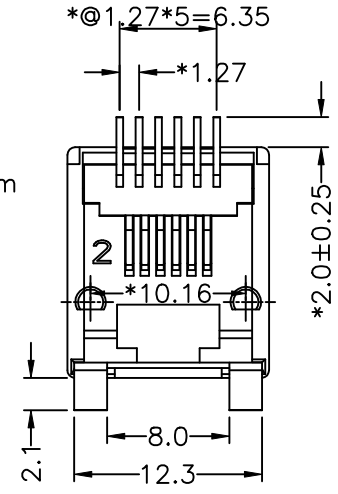
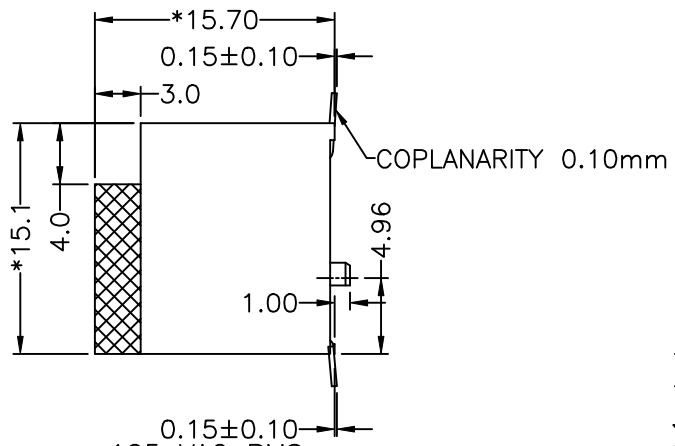
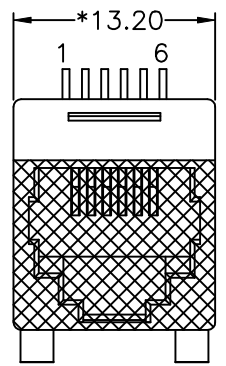


REVISION RECORD				
REV	ECO	DESCRIPTION	DRFT	CHKD
1		NOTES MODIFY	Among	
2		NOTES MODIFY	10/27/04	
3		ADD PART NO	SAMMY	
4		DRAWING MODIFY	02/03/05	
			02/17/05	
			JAMVIN	
			12/5/05	



NOTES:

ELECTRICAL:

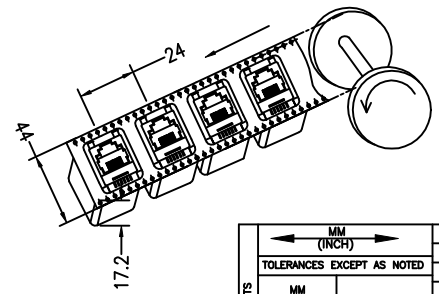
- 1. VOLTAGE RATING : 125 VAC RMS.
- 2. CURRENT RATING : 1.5 AMP.
- 3. CONTACT RESISTANCE : 35 MILLIOHMS MAX.
- 4. INSULATION RESISTANCE : 1000 MEGOHMS MIN @ 500 VDC.
- 5. DIELECTRIC STRENGTH : 1000 VAC RMS 60Hz, 1MIN.

MECHANICAL:

- 1. HOUSING MATERIAL : FR52
- 2. HOUSING COLOR : BLACK
- 3. CONTACT MATERIAL : PHOSPHOR BRONZE t=0.35mm.
- 4. PLATING : GOLD PLATING OVER NICKEL.
- 5. OPERATING LIFE : 750 CYCLES MIN.
- 6. PCB RETENTION POST-SOLDER: 10 LBS MIN.

ENVIRONMENTAL:

- 1. STORAGE : -40°C TO +85°C.
 - 2. OPERATION: -40°C TO +85°C.
- MATES WITH MODULAR PLUG CONFORMING TO FCC PART 68, SUBPART F.
 CUL FILE NO: E163191
 PART NUMBER: E526X-700BUX



- 4-4C
- 6-6C
- 1-3u"
- 3-15u"
- 5-50u"
- 2-6u"
- 4-30u"

DETACHED LISTS	MM (INCH)		DFTO Syngde	DATE 3/13/2004
	TOLERANCES EXCEPT AS NOTED		CHKD/ANGIE	DATE 2005/12/3
			MFO	DATE
	MM	±	APPVLLUSHENG	DATE 2005/12/3
	.0	±0.20		
	.00	±0.15		
	.000	±0.075		
	ANGLES ±		MATERIAL :	
	THIRD ANGLE PROJECTION		QT'Y :	
			FINISH :	
		SCALE :		

FULL RISE ELECTRONIC CO., LTD			
TITLE (W/O PANEL STOP)			
TOP ENTRY PCB JACK 6P			
DRAWING NO. GE523106		SIZE	REV
/PART NO. SEE NOTE		A3	4
DO NOT SCALE DRAWING		SHEET X	OF Y